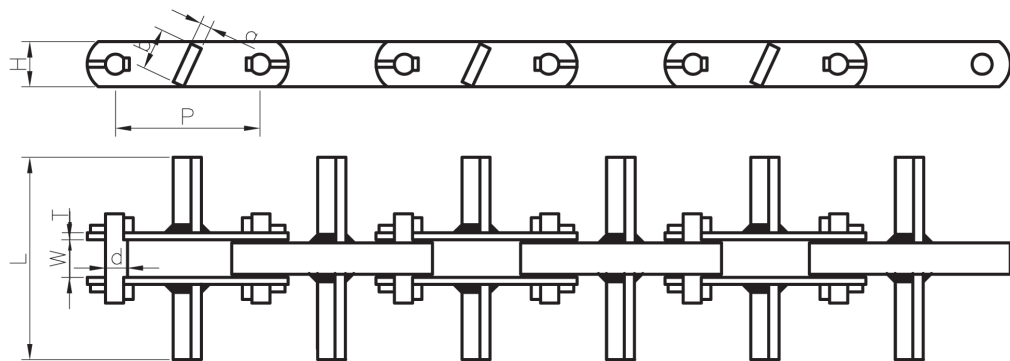
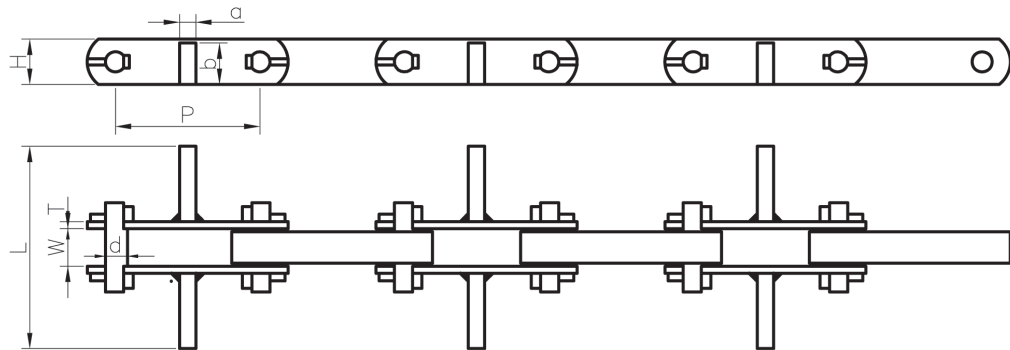


## BLOCK TYPE SHAVING SCRAPER CHAINS

### CONVEYOR CHAIN SERIES

CONVEYOR CHAIN



Chain No.	Pitch	Height of Chain	Pin dia.	Plate thickness	Width between Outer plates	Scraper plate dimensions			Ultimate tensile strength	Weight per meter
	P mm	H(max) mm	d(max) mm	T(max) mm	W(min) mm	L mm	a mm	b mm	Q KN	q kg/m
KEB0331	152.4	45	22	8	35	230	12	43	290	12.54
KEB0333	152.4	50	25.2	9.5	40.8	290	12	48	390	17.28
MC58410	152.4	45	22.2	8	33.3	180	12	40	290	14.27