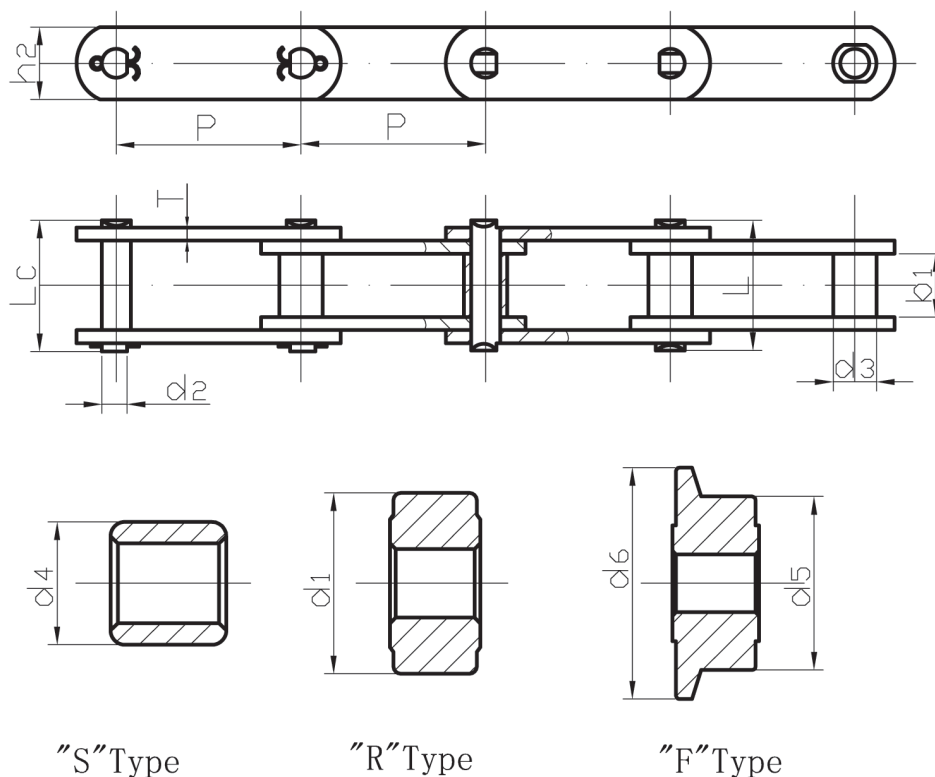


FV SERIES CONVEYOR CHAINS

CONVEYOR CHAIN SERIES

CONVEYOR CHAIN



Chain No.	Pitch					Inside width	Plate depth	Pin dia.	Barrel dia.	Plate thickness	Roller dimension				Pin length		Ultimate tensile strength	
	P										d4 (max)	d1 (max)	d5 (max)	d6 (max)	L (max)	Lc (max)		Q
	mm																	
FV40	40	50	63	80	100	18	26	10	15	3	20	32	40	48	37	39.5	40	
FV63	63	80	100	125	160	22	30	12	18	4	26	40	50	60	46	50.5	63	
FV90	63	100	125	160	200	25	35	14	20	5	30	48	63	73	53	57.5	90	
FV112	100	125	160	200	250	30	40	16	22	6	32	55	72	87	63	67.5	112	
FV140	100	125	160	200	250	35	45	18	26	6	36	60	80	95	68	74.0	140	
FV180	125	160	200	250	315	45	50	20	30	8	42	70	100	120	86	93.0	180	
FV250	160	200	250	315	400	55	60	26	36	8	50	80	125	145	98	106.0	250	
FV315	160	200	250	315	400	65	70	30	42	10	60	90	140	170	117	125.0	315	
FV400	160	200	250	315	400	70	70	32	44	12	60	100	150	185	131	141.0	400	
FV500	200	250	315	400	500	80	80	36	50	12	70	110	160	195	141	151.0	500	
FV630	200	250	315	400	500	90	100	42	56	12	80	120	170	210	153	163.0	630	