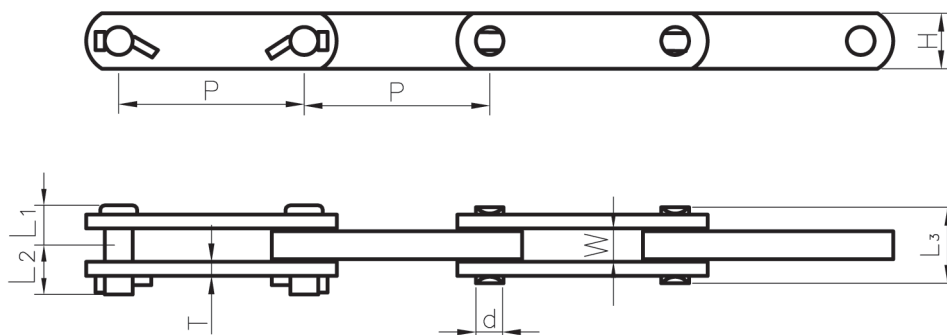


# WT TYPE PROFILED BAR DRAG CHAINS

## CONVEYOR CHAIN SERIES



Chain No.	Pitch	Height of Chain	Pin				Thickness of Outside Bar.	Inside Width	Ultimate tensile strength	Weight per meter
	P	H(max)	d(max)	L1(max)	L2(max)	L3(max)	T(max)	W(max)	Q	q
	mm	mm	mm	mm	mm	mm	mm	mm	KN	kg/m
WT30150	150	38.1	15.9	24	32	49	8	23.3	315	7.0
WT30200	200									
WT40150	150	44.5	19.1	25.5	35.5	52	8	26.5	405	9.0
WT40200	200									
WT56200	200	54	22.2	29.5	40.5	60	10	29.5	565	12.3
WT56250	250									
WT63200	200	57	23.8	30.5	41.5	62	10	31.5	630	13.7
WT63250	250									
WT70200	200	63.5	25.4	31.5	42.5	64	10	33.5	735	16.2
WT70250	250									
WT90200	200	72	27	34.5	45.5	70	10	38	925	21.0
WT90250	250									
WT115250	250	76.2	31.8	38	49	77	12.7	40	1140	25.0
WT115300	300									
WT140250	250	85	35	44	54	88	14	47.5	1430	32.0
WT140300	300									
WT180300	300	95	42	48.5	58.5	97	16	52.5	1775	39.0
WT180350	350									
WT210300	300	110	42	51.5	61.5	103	16	59	2195	50.0
WT210350	350									
WT250200	200	112	46	58.5	68.5	118	20	66	2485	58.8
WT250350	350									
WT280300	300	122	50	58.5	68.5	118	20	67	2775	66.0
WT280350	350									